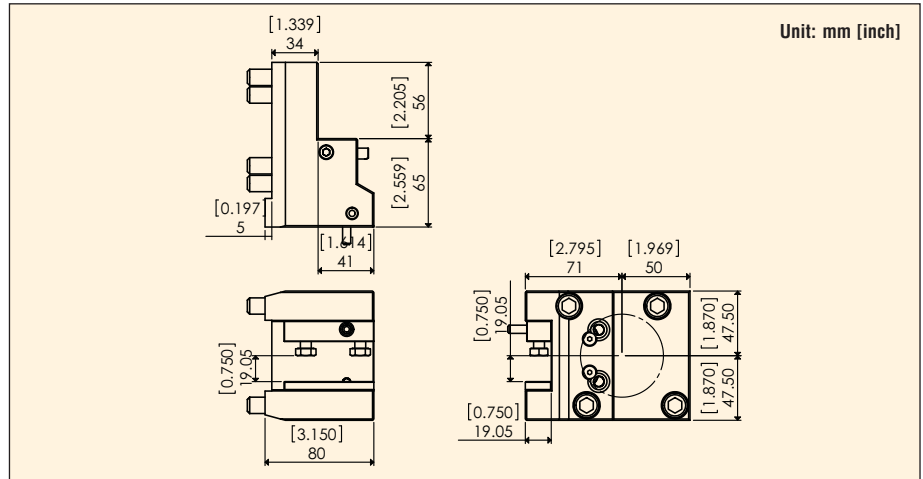


OD Cutting Holder (1" and 3/4")

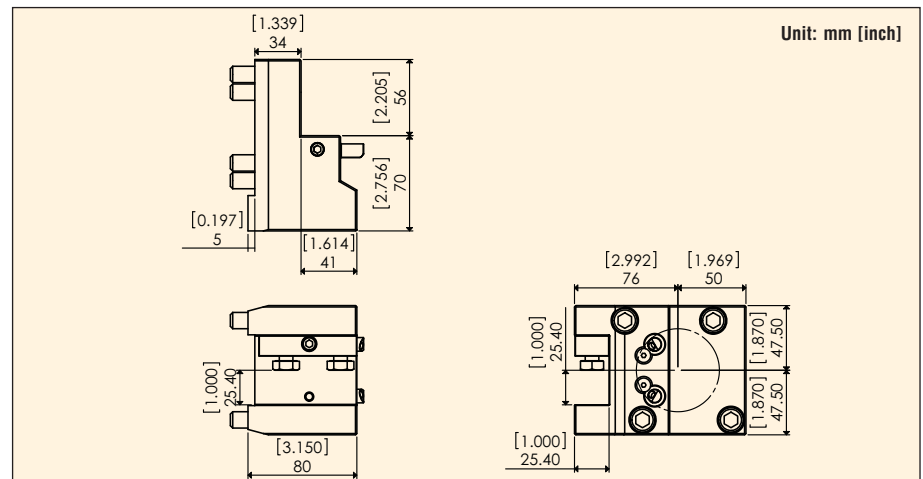
Part #: **LYNDEX NIKKEN** OK126-42000



Description	Interface	Output Size	Maximum External Pressure
OD Cutting Holder (1" and 3/4")	Bolt	1" (25.40mm) and 3/4" (19.05mm)	1000 PSI

OD Cutting Holder (1")

Part #: **LYNDEX NIKKEN** OK126-52000



Description	Interface	Output Size	Maximum External Pressure
OD Cutting Holder (1")	Bolt	1" (25.40mm)	1000 PSI