

Live Tooling for Nakamura Tome Lathes



Turn Your CNC Lathe into a Precision Profit Center with Lyndex-Nikken Highly Accurate Milling, Drilling and Tapping Live Tools.

- Lightweight and Compact Designs
- Available from Stock
- Straight and Offset Units
- Modular Quick Change Systems
- Tapping Quick Change Holders
- High Speed Tooling, Coolant Feed Thru Tools, Axial Tools, Radial Tools, Dual Output Radial Tools and Universal Tools
- Lifetime Lubrication of Bearings
- Optimized Gears for Ultra Smooth Operation
- High Torque Transmission
- High Rigidity
- High Repeatability
- Internal Coolant up to 30 Bar
- Length Adjustment

Spanners and Setting Fixtures

Spanners and setting fixtures are sold separately from Live Tools.

Installation and Operation

To install the Live Tool on the lathe, please follow the procedures as shown in the manual provided by the lathe manufacturer.

For operating instructions of the Live Tool, please refer to the Lyndex-Nikken manual included with the Live Tool.

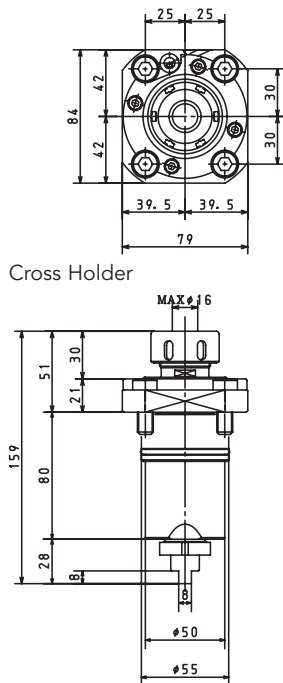
Specials

Lyndex-Nikken is more than happy to provide quotations for your lathe tooling needs that are not met by our standard product offerings. Please direct your detailed requests to our office. Lyndex-Nikken's engineering staff is ready to assist you with your specific tooling needs.

NK103-11000

For Nakamura Tome

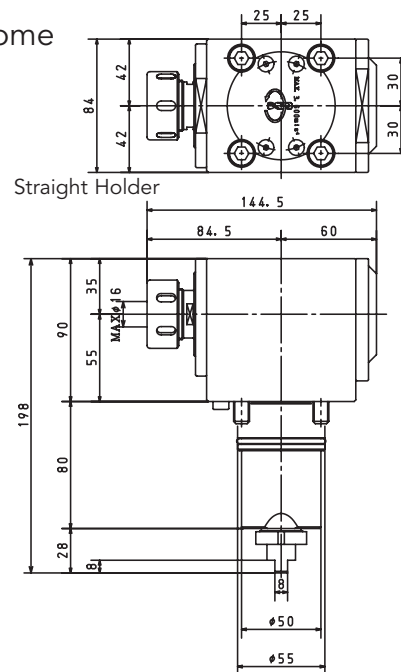
- TW-10
- SC-250
- WT-150
- WT-250
- WTW-150
- WTS-150
- NTM3
- NTJ



NK103-10000

For Nakamura Tome

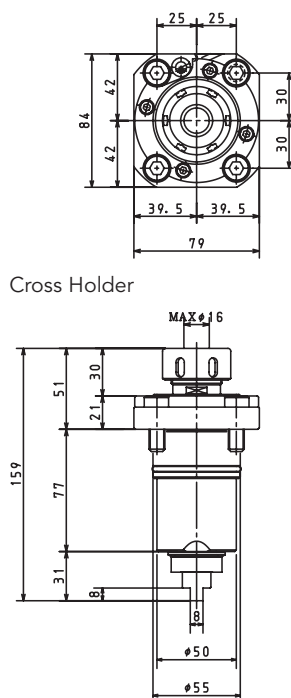
- TW-10
- SC-250
- WT-150
- WT-250
- WTW-150
- WTS-150
- NTM3
- NTJ



NK103-13000

For Nakamura Tome

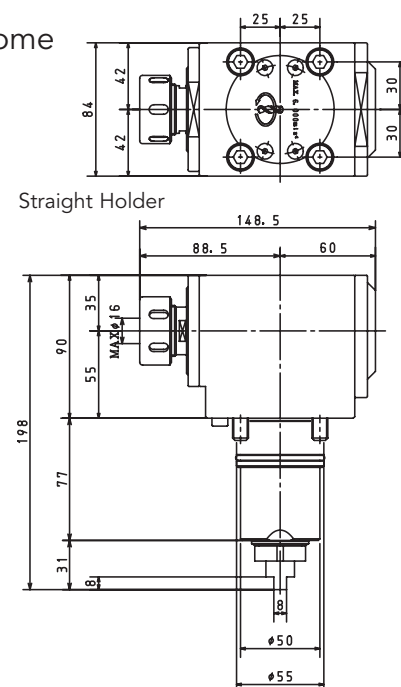
- SC-200
- WT-150
- WTW-150
- WTS-150
- NTJ



NK103-12000

For Nakamura Tome

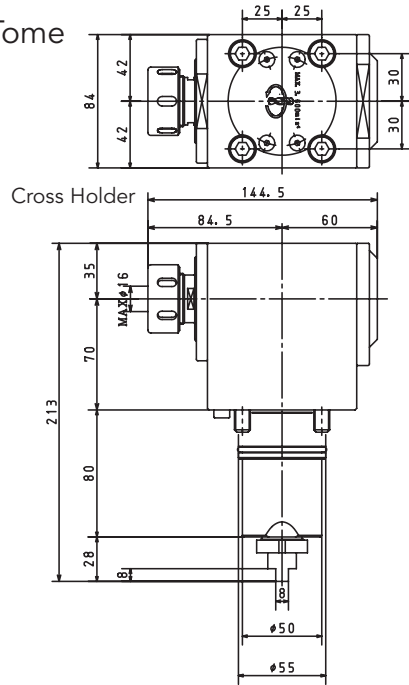
- SC-200
- WT-150
- WTW-150
- WTS-150
- NTJ



NK103-15000

For Nakamura Tome

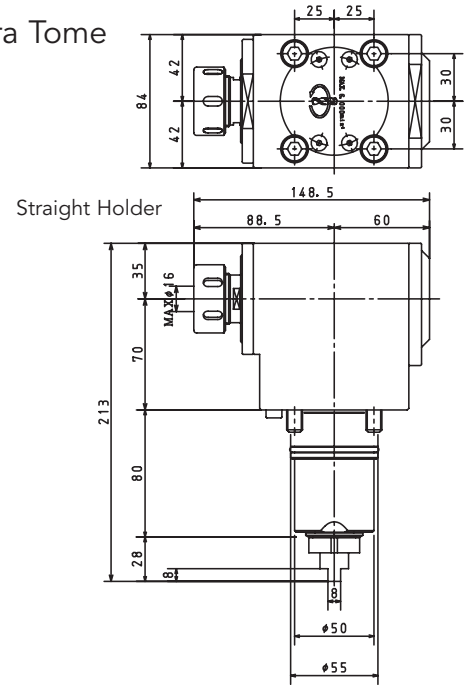
- WTW-150
- WTS-150



NK103-16000

For Nakamura Tome

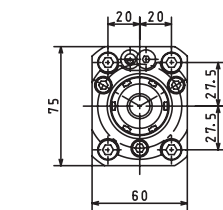
- WTW-150
- WTS-150



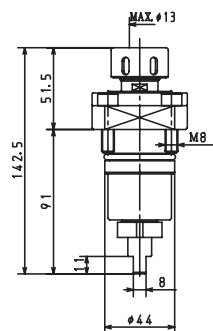
NKA01-13000

For Nakamura Tome

- WT-100



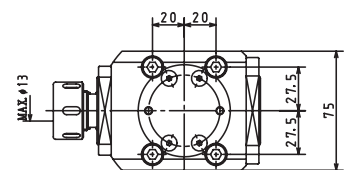
Cross Holder



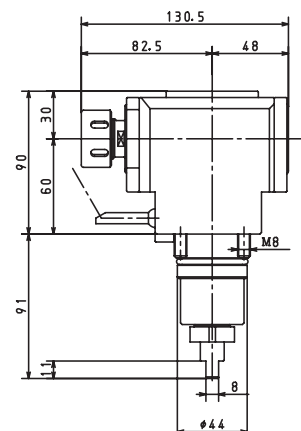
NKA01-12000

For Nakamura Tome

- WT-100



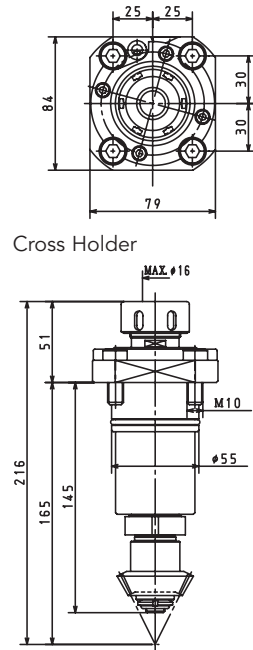
Straight Holder



NKA00-11000

For Nakamura Tome

- SC-150II

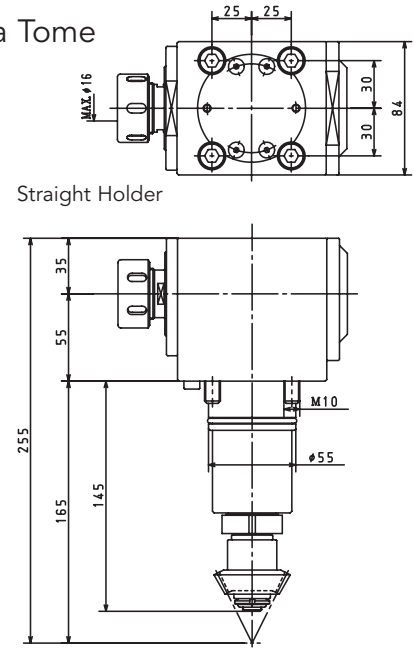


Cross Holder

NKA00-10000

For Nakamura Tome

- SC-150II



Straight Holder

Lyndex-Nikken Part Number	Nakamura Tome Machine Model										
	TW-10	SC-150II	SC-200	SC-250	WT-100	WT-150	WT-250	WTW-150	WTS-150	NTM3	NTJ
NK103-11000	•			•		•	•	•	•	•	•
NK103-10000	•			•		•	•	•	•	•	•
NK103-13000			•			•		•	•		•
NK103-12000			•			•		•	•		•
NK103-15000								•	•		
NK103-16000								•	•		
NKA01-13000					•						
NKA01-12000					•						
NKA00-11000		•									
NKA00-10000		•									



www.lyndexnikken.com

800-543-6237

CAT2006-NT